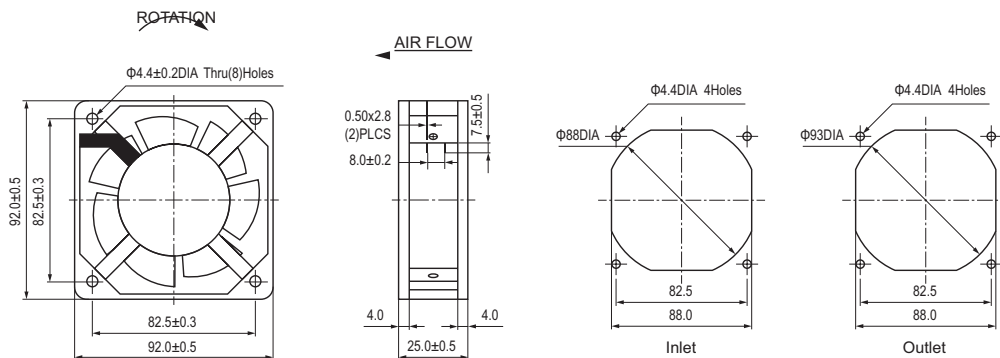
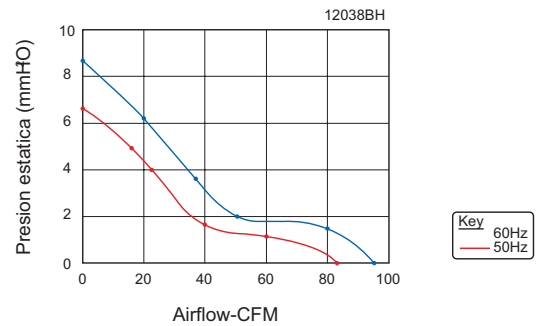


Ventilador 120X120x38mm 230Vac 2600rpm 138m³/h aluminio c/rodamientos



ESPECIFICACIONES

dimensiones: 92×92×25mm
 caudal: 37~58m³/hr 22-34CFM peso: 268g
 ruido: 28~40dBA
 impulsor: PBT Black
 marco: aleacion de aluminio terminales: 0.5mm
 cable: AWG#22
 motor: polo sombreado
 temperatura de operacion: -10°C~+65°C



Specific Parameters

| Model Number | Bearing Type | Voltage (V) | Freq. (Hz) | Current (A) | Power (W) | Speed (RPM) | Noise (dBA) | Air Flow | | Phase | Capacitor |
|--------------|--------------|-------------|------------|-------------|-----------|-------------|-------------|--------------------|-------|-------|-----------|
| | | | | | | | | M ³ /hr | CFM | | |
| 12038-110BH | Ball | 100~125 | 50/60 | 0.22/0.18 | 21/18 | 2600/3000 | 43/48 | 138/162 | 82/95 | 1 | / |
| 12038-230BH | Ball | 200~240 | 50/60 | 0.14/0.12 | 21/18 | 2600/3000 | 43/48 | 138/162 | 82/95 | 1 | / |